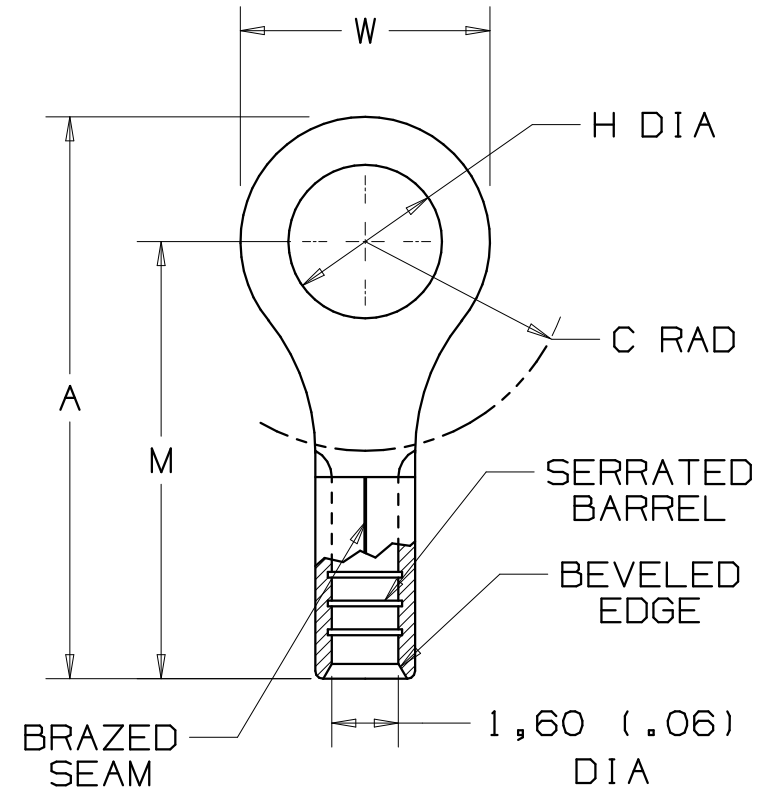



PANDUIT PART #	STUD SIZE	DIMENSIONS mm				
		A $\pm 0,51$	W $\pm 0,25$	C $\pm 0,38$	M $\pm 0,51$	H $\pm 0,25$
PREFIX						
PM1-3R	M3	15,75 (.62)	5,84 (.23)	5,59 (.22)	12,70 (.50)	3,30 (.13)
PM1-4R	M4	18,03 (.71)	7,87 (.31)	7,37 (.29)	13,97 (.55)	4,57 (.18)
PM1-5R	M5	18,03 (.71)	8,89 (.35)	7,37 (.29)	13,97 (.55)	5,33 (.21)
PM1-6R	M6	23,11 (.91)	10,92 (.43)	10,69 (.42)	17,27 (.68)	6,86 (.27)

NOTES :

- USED FOR :
A. 0,5-1,5mm² (#22-18 AWG), SOLID OR STRANDED, COPPER WIRE
- MATERIAL :
A. STAMPING - 0,81mm (.03) THK COPPER, TIN PLATED
- DIMENSIONS IN BRACKETS ARE IN INCHES
- PACKAGE QTY:
A. -X =10, -C =100, -M =1000
- WIRE STRIP LENGTH: 7,1 $\begin{matrix} +,8 \\ -0 \end{matrix}$ (9/32 $\begin{matrix} +1/32 \\ -0 \end{matrix}$)
- INSTALLATION TOOLS: REF. DWGS.
A41522, A41523, A41524, A41525



A41430_02

02	10/06	DAW	DAW	ADDED -X PACKAGE QTY.	TR00171	LCA	TRO	 TINLEY PARK, ILLINOIS
01	10/97	TM	WJB	CHANGED DECIMAL POINTS TO COMMAS	06431	LCA	DBH	
00	11/91	BK	RS	RELEASED	00687	LA	KS	
REV	DATE	BY	CHK	DESCRIPTION	ECN #	CUST	PM	DRAWN BY: BDK CHK'D: NONE SCALE: NONE DRAWING NO.: A41430